



3-PHASES

AVAILABLE IN 480 V

AVAILABLE IN 60 Hz

**AVAILABLE IN
RIGHT VERSION
GRT12**



1946

GRT12SX

ELECTRIC 3-PHASES CUTTING UNIT

GRT12SX. Powerful professional cutting unit for continuous cutting processes in Textile & Technical Textile applications.



ELECTRIC 3-PHASES CUTTING UNIT GRT12SX



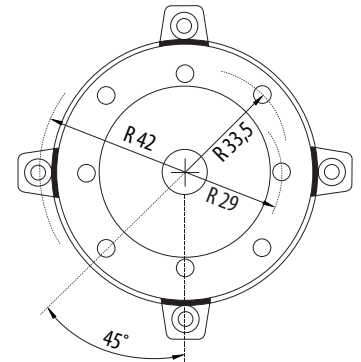
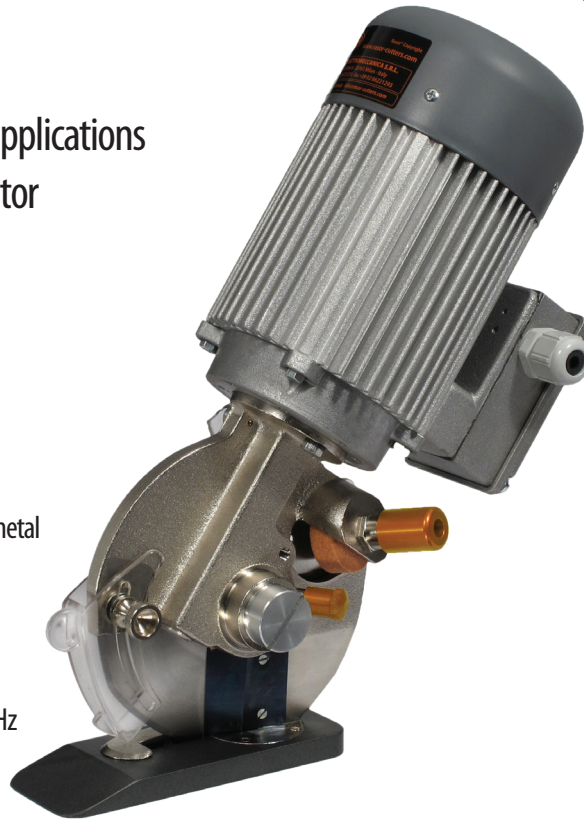
WHAT'S NEW:

Low-friction Teflon coated foot
Easy fixing structure for O.E.M. applications
Maintenance-free industrial motor

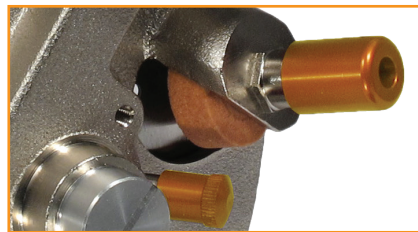
AVAILABLE IN 480 V
AVAILABLE IN 60 Hz

TECHNICAL DETAILS:

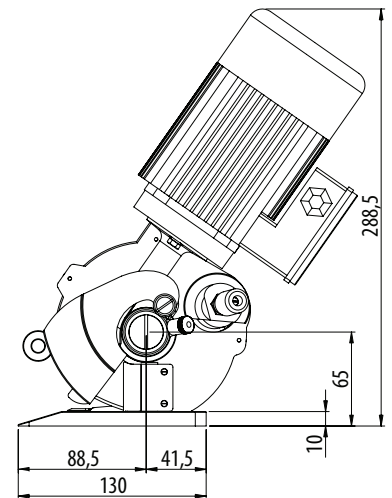
Blade diameter: 120 mm (4.7"), with hard metal counterblade
Blade equipped: 12SHSS, 8-edges, HSS steel
Blade speed: 400 r.p.m.
Cutting ability: up to 50 mm (2")
Motor: 3-phase asynchronous 380/400V, 50 Hz
Power: 180 W
Max. absorption: 0.52 A
Protection: IP20 - CL F
Net weight: 4650 g (with power supply cord)
Total weight (with packing box): 6350 g
Electric cable length: 1.5 mt (with no plug)
Minimum brightness for working operations: LUX 200
Vibrations at start up: < 2.5 m/sec 2
Temperature range: 0 – 55 C
Umidity range: 10 – 95% without condensate



Fixing layout



Sharpening device



Dimension layout

BLADES AVAILABLE:

12SHSS, 120 mm 8-edges, HSS steel | **12CHSS**, 120 mm circular, HSS steel | **12DHSS**, 120 mm 12-edges, HSS steel | **12SHSSTF**, 120 mm 8-edges, HSS steel Teflon® coated | **12SHSSTN**, 120 mm 8-edges, HSS steel Titanium coated | **12DHSSTN**, 120 mm 12-edges, HSS steel Titanium coated | **12SMD**, 120 mm 8-edges, Carbide (Widia®)



PETRONI SRL
Via A. Bucchi, 1/B
06012 Città di Castello (PG)
+39 075/852.07.87
www.petronisrl.it